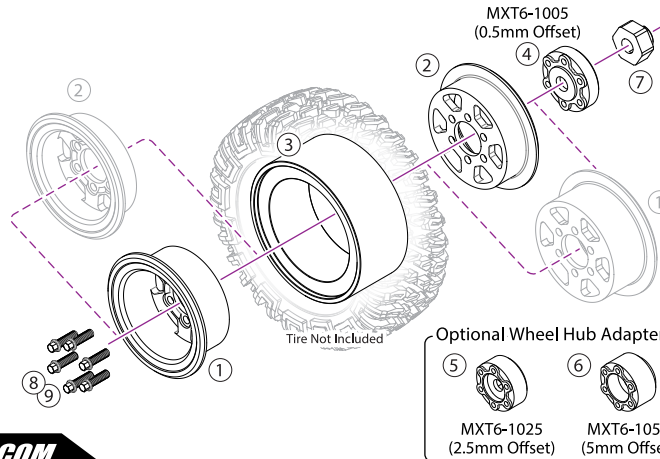


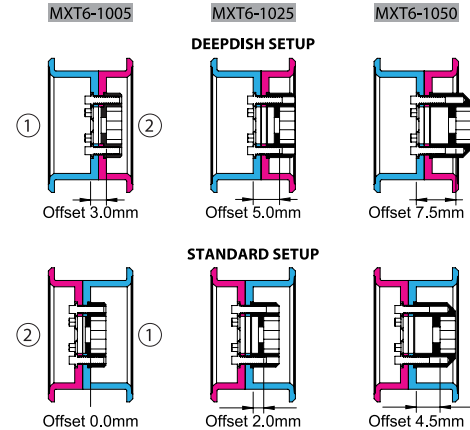
KRAIT™ 1.0" Beadlock Wheel w/ Hubs

Instruction Manual

Parts Included:	Qty.
(1) Wide Barrel	4
(2) Narrow Barrel	4
(3) Brass Center Piece #BRW780938C	4
(4) MXT6-1005 Wheel Hub Adapter #BRMXT61005	4
(5) MXT6-1025 Wheel Hub Adapter #BRMXT62025	4
(6) MXT6-1050 Wheel Hub Adapter #BRMXT63050	4
(7) Hex #BRW780938D	4
(8) M1.6x5 Scale Screw (Black) #BRW780938EBK	24
(9) M1.6x5 Scale Screw (Silver) #BRW780938ES	24
(10) Tool #BRT10055	1



WHEEL OFFSET WITH HUB (MXT6-1005/MXT6-1025/MXT6-1050)

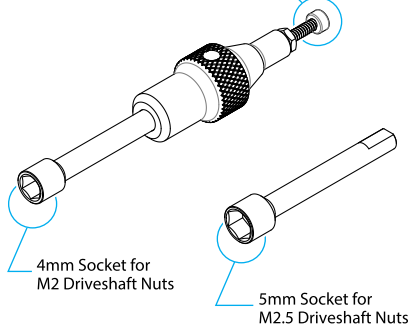


WWW.BOOMRACINGRC.COM

KRAIT™ 1.0" Beadlock Wheel w/ Hubs

⑩ Tool

1.5mm Socket
for M1.6 Scale Screws



4mm Socket for
M2 Driveshaft Nuts

5mm Socket for
M2.5 Driveshaft Nuts

WWW.BOOMRACINGRC.COM

YOUR R/C HOP-UPS SPECIALIST

We love building scale models. Let's be honest. Which badass doesn't love a beautiful looking car? Our focus is on designing the best looking products that **really** perform; products that withstand beating and still look great enough to be shelf queens. Offering you the latest designs made with the highest possible quality at affordable prices is our absolute focus for all enthusiastic hobbyists.

Since 2012, Boom Racing has been manufacturing extreme performance RC products. We want you to love and enjoy these amazing "scale" and "performance" based products to create your own unique realistic RC builds.

We are never going to stop at giving you the best updates and upgrades on our product lines. That's our passion and our commitment to keep you on your toes with excitement and anticipation for what's to come next.

Enjoy being a BADASS!



#boomracing



www.facebook.com/boomracingrc

www.boomracingrc.com

KRAIT™ 1.0" Beadlock Wheel w/ Hubs

Difficulty Level: ★☆☆☆☆



ENJOY BEING A BADASS

Copyright © Boom Racing Co. Ltd